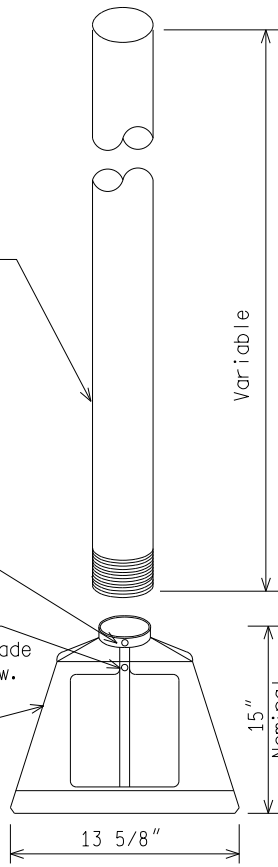


Aluminum Pedestal  
6063-T6 alloy, 4" x .237"  
wall schedule 40-3.73 #/ft.  
spun finish.

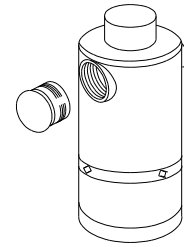
3/8"x1 1/4" stainless  
steel set screw

Cover held in place with a  
1/4"x 20 UNC Hex head 300 grade  
stainless steel machine screw.

Frangible Square  
aluminum base  
See Note 4) on  
sheet 3 of 3.



SQUARE ALUMINUM BASE

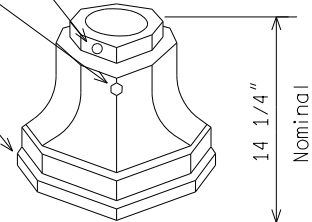


POST TOP  
(SLIP FITTER)

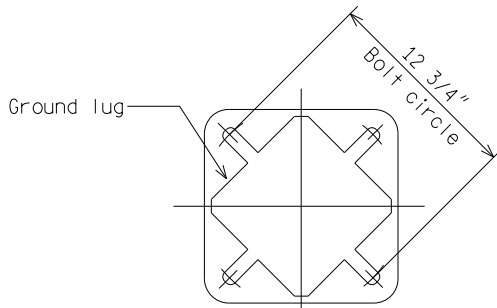
3/8" x 20 UNC x 2" stainless  
steel set screw

Cover held in place with a  
1/4"x20 UNC Hex head 300 grade  
stainless steel machine screw.

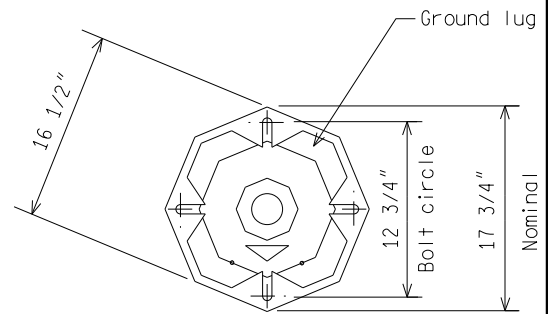
Frangible Octagonal  
aluminum base  
See Note 4) on  
sheet 3 of 3.  
See Note 5) on sheet 3 of 3  
for RCOC preference.



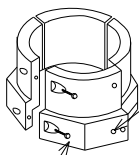
OCTAGONAL BASE



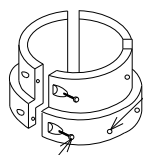
SQUARE BASE  
BOTTOM PLAN



OCTAGONAL BASE  
BOTTOM PLAN



COLLAR  
(OCTAGONAL BASE)



COLLAR  
(SQUARE BASE)

NOTE: Use pedestal collar for pedestal length greater than or equal to 14' (typical for 3 color traffic signals with pedestrian signals)

NOT TO SCALE

File: RefDoc/TR/Signals/Web/Sp Det/Fin/SIG070A.dgn Rev. 04/05/21



PREPARED BY  
TRAFFIC AND SAFETY

DRAWN BY:  
CHECKED BY:

\_\_\_\_\_  
ENGINEER OF DELIVERY

\_\_\_\_\_  
ENGINEER OF DEVELOPMENT

(SPECIAL DETAIL)  
FHWA APPROVAL DATE

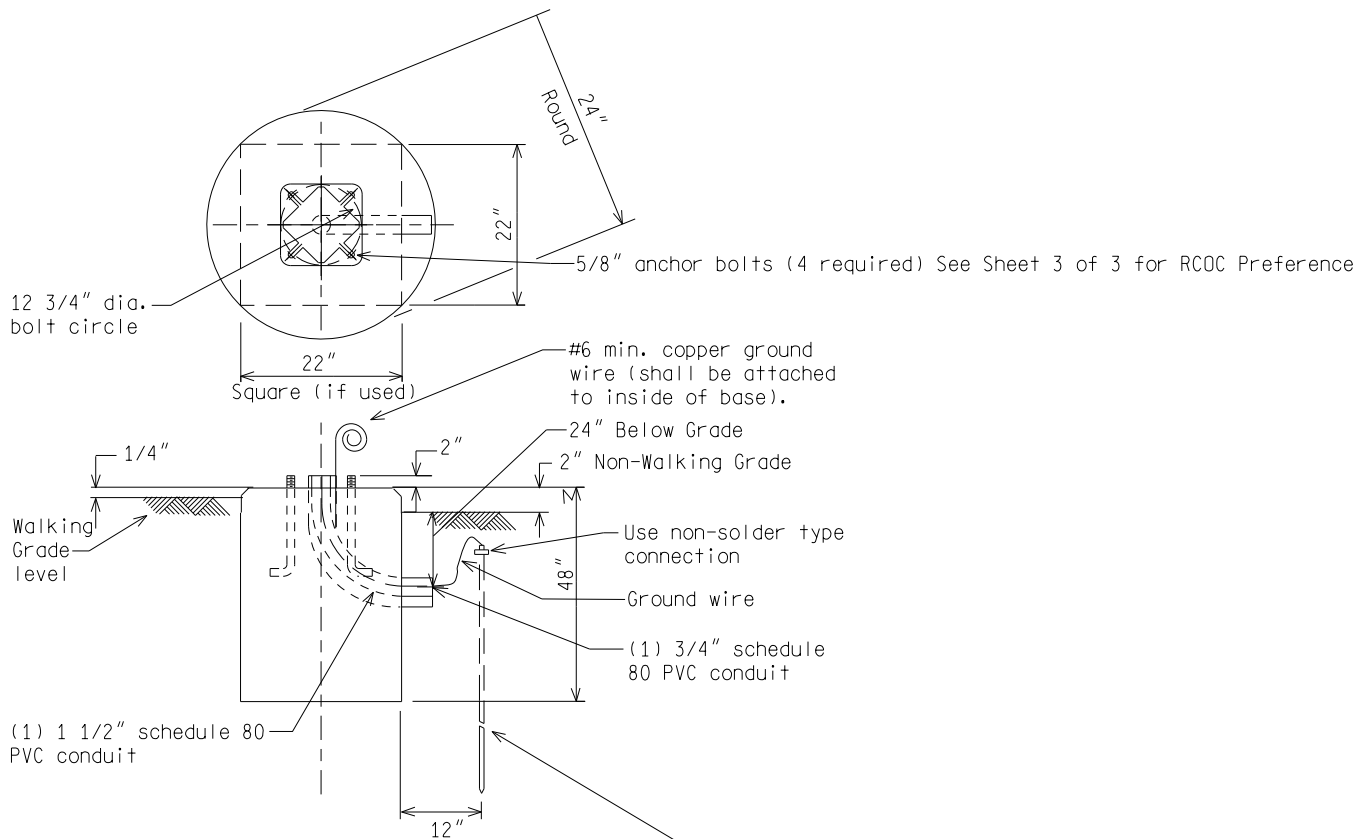
MICHIGAN DEPARTMENT OF TRANSPORTATION  
BUREAU OF HIGHWAYS DELIVERY STANDARD PLAN FOR

PEDESTAL FOUNDATION

\_\_\_\_\_  
PLAN DATE

SIG-070-A

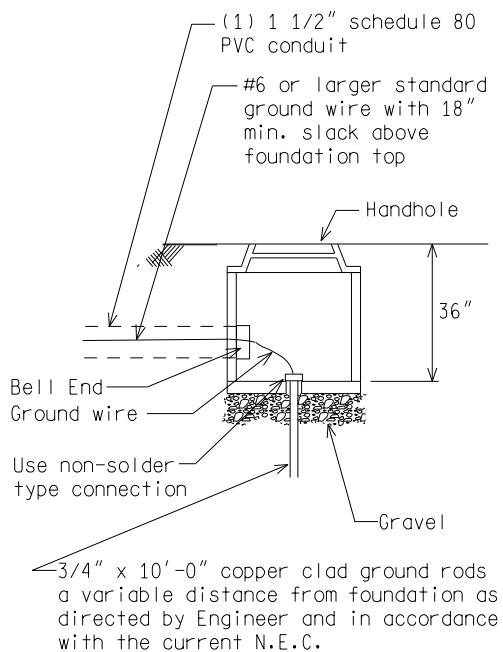
SHEET  
1 of 3



3/4"x10'-0" copper clad ground rod(s). (Ground rod(s) must be installed in handhole outside of fdn. (a min. of 12" from fdn.-6" below grade) or as directed by the Engineer.)

**PEDESTAL FOUNDATION**

See notes 1, 2 & 3 on sheet 3 of 3.



**HANDHOLE DETAIL**

NOT TO SCALE

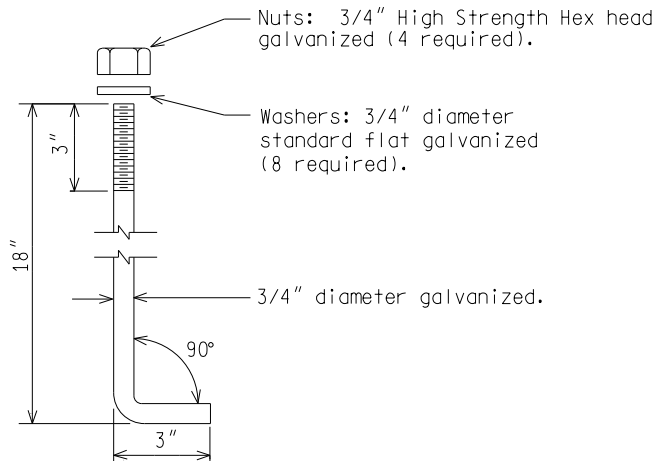
MICHIGAN DEPARTMENT OF TRANSPORTATION  
BUREAU OF HIGHWAYS DELIVERY STANDARD PLAN

(SPECIAL DETAIL)  
FHWA APPROVAL DATE

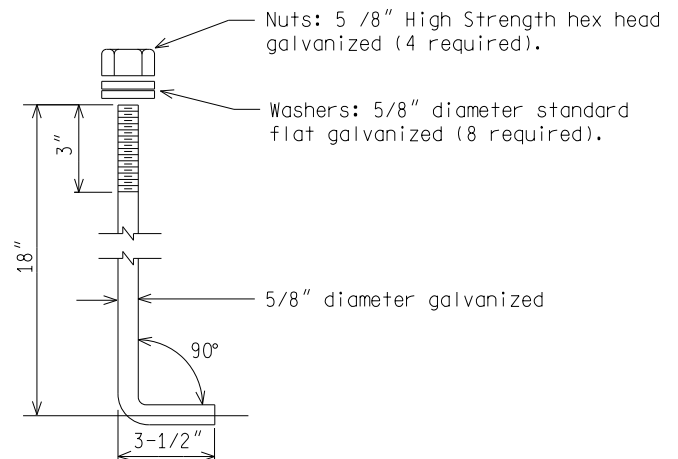
PLAN DATE

SIG-070-A

SHEET  
2 of 3



For use on MDOT Trunkline.



For use on Oakland County Roads only.

#### ANCHOR BOLT DETAIL

NOTE: Anchor bolts are to be ASTM-F1554 Grade 36 (Hot dipped galvanized) ( 4-required )

#### NOTES:

- 1) Alternate foundation may be constructed 22"x22" square - 48" deep.
- 2) Grounding system shall measure 10 ohm or less to ground.
- 3) Construction joints not permitted in foundation.
- 4) Pedestal base must meet the requirements of National Cooperative Highway Research Program Report 350 (NCHRP 350) or Manual for Assessing Safety Hardware (MASH) and have Federal Highway Administration (FHWA) acceptance. Pedestal base must also be certified to have a 4-inch maximum stub height after the support has broken away from its base, as specified in the AASHTO Standard Specifications for Structural Supports for Highway Signs, Luminaries, and Traffic Signals and the AASHTO Roadside Design Guide.
- 5) Use the Octagonal Base as a preference by the Road Commission for Oakland County (RCOC), for use on Oakland County roads only.

NOT TO SCALE

MICHIGAN DEPARTMENT OF TRANSPORTATION  
BUREAU OF HIGHWAYS DELIVERY STANDARD PLAN

(SPECIAL DETAIL)  
FHWA APPROVAL DATE

PLAN DATE

SIG-070-A

SHEET  
3 of 3